

SCREW/TRUCKS

VITE/MERCATO EUROPEO
 SCREW COUPLINGS/EU MARKET
 SCHRAUBKUPPLUNGEN/EU MARKT
 COUPLEURS À VISSER/MARCHE EUROPEEN


Caratteristiche tecniche
I

- Intercambiabilità: Faster CVE
- Occlusione: valvola
- Aggancio: a vite
- Materiale: acciaio
- Finitura: Zn-Fe (Cr III)
- Filettature: BSP
- Guarnizioni standard: NBR
- Temperatura d'esercizio: -25 °C +100 °C
- Guarnizioni opzionali: FKM, EPDM o altro.
- Pressioni di esercizio: 300-350 bar
- Connessione in pressione residua: consentita (lato maschio o lato femmina)

Technical data
E

- Interchange: Faster CVE
- Occlusion: poppet
- Locking: screw
- Material: steel
- Finishing: Zn-Fe (Cr III)
- Threads: BSP
- Standard seals: NBR
- Working temperature: -25 °C +100 °C
- Optional seals: FKM, EPDM or more.
- Working pressure: 300-350 bar
- Connection under residual pressure: allowed (both male or female side)

Nominal size				Max working pressure	Rated flow	Max flow rate	Min burst pressure			Fluid spillage
DNP	BG	ISO	mm				Male	Female	Coupled	
20	4	19	16.2	35	120	240	100	100	130	10
25	5	25	18.6	30	160	320	100	100	100	15

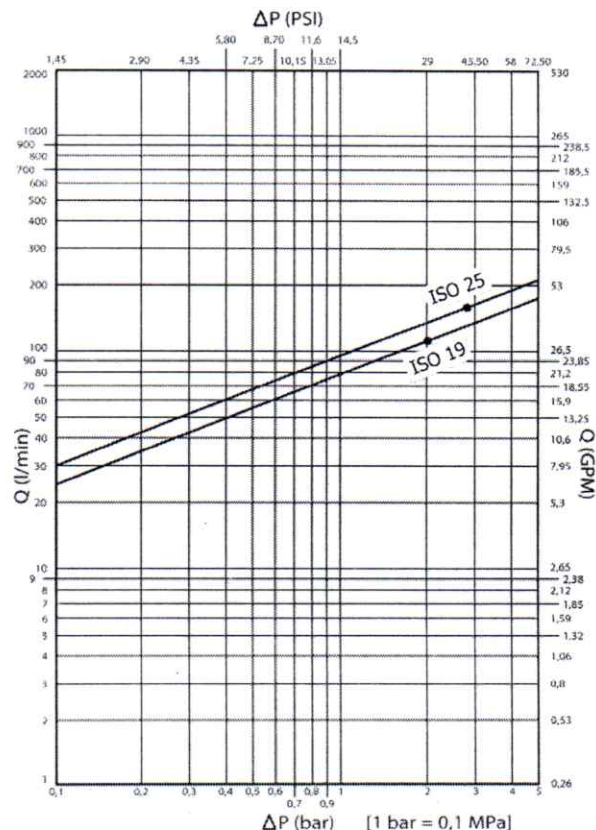
1 MPa = 145.04 psi • 1 l = 0.264 gal

Technische Merkmale
D

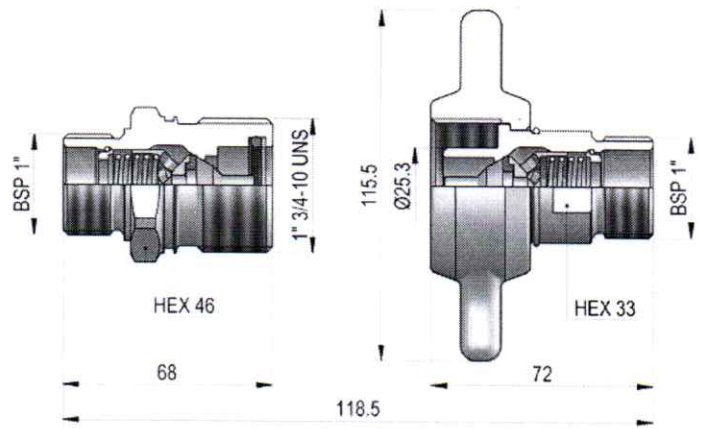
- Austauschbarkeit: Faster CVE
- Verschluss: ventil
- Verriegelung: Schraubweise
- Werkstoff: Stahl
- Ausführung: Zn-Fe (Cr III)
- Gewinde: BSP
- Standard-Dichtungen: NBR
- Betriebstemperatur: -25 °C +100 °C
- Dichtungen nach Wahl: FKM, EPDM, usw.
- Betriebsdruck: 300-350 bar
- Kuppeln unter Restdruck: erlaubt (Steckerseite oder Muffenseite)

Caracteristiques techniques
F

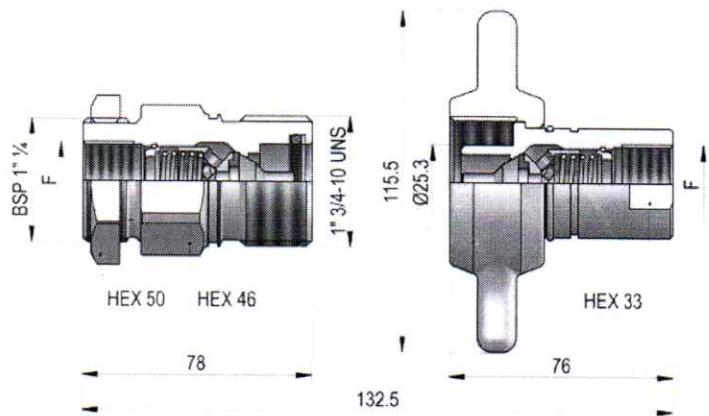
- Interchangeabilité: Faster CVE
- Obturation: clapet
- Accrochage: à visser
- Matériel: acier
- Traitement: Zn-Fe (Cr III)
- Taraudage: BSP
- Joints standard: NBR
- Température de service: -25 °C +100 °C
- Joints facultatifs: FKM, EPDM, ect.
- Pression de service: 300-350 bar
- Connexion sous pression résiduelle: possible (côté male ou femelle)



PVE1 DN20 - BG 4 - ISO 19

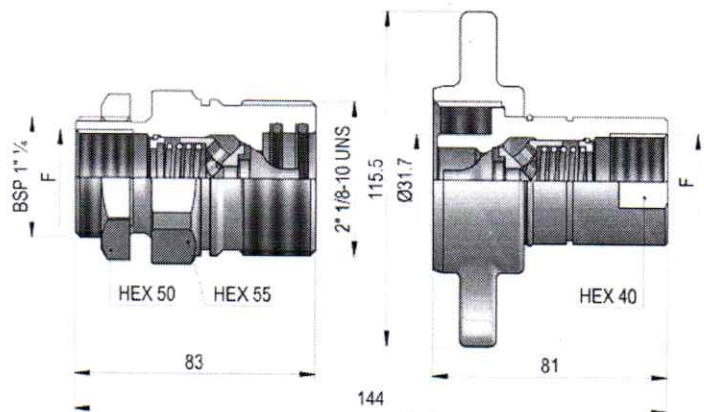


F	STANDARD	FEMMINA - FEMALE - MUFFE - FEMELLE			MASCHIO - MALE - STECKER - MALE		
		COD. F	Weight (g)	Packaging (pcs)	COD. M	Weight (g)	Packaging (pcs)
BSP 3/4"	DIN 3852-2-X	PVE1.2019.002	704	20	PVE1.2019.003	755	12



STANDARD	FEMMINA - FEMALE - MUFFE - FEMELLE			MASCHIO - MALE - STECKER - MALE		
	COD. F	Weight (g)	Packaging (pcs)	COD. M	Weight (g)	Packaging (pcs)
UNI ISO 228/1	PVE1.2025.212	517	20	PVE1.2025.213	568	12

PVE1 DN25 - BG 5 - ISO 25



F	STANDARD	FEMMINA - FEMALE - MUFFE - FEMELLE			MASCHIO - MALE - STECKER - MALE		
		COD. F	Weight (g)	Packaging (pcs)	COD. M	Weight (g)	Packaging (pcs)
BSP 1"	DIN 3852-2-X	PVE1.2525.002	915	18	PVE1.2525.003	874	12