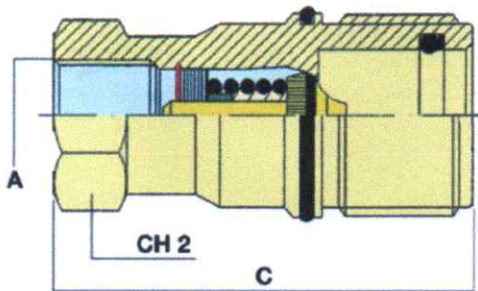


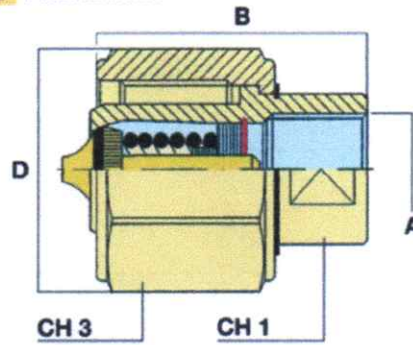
S series

SCREW TO CONNECT INNESTO A VITE

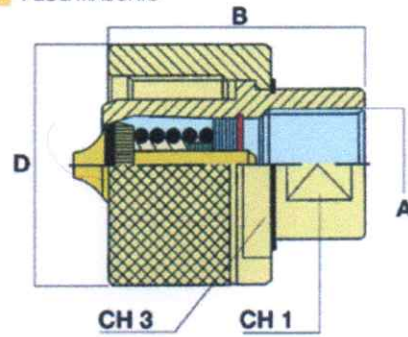
■ SOCKET FEMMINA



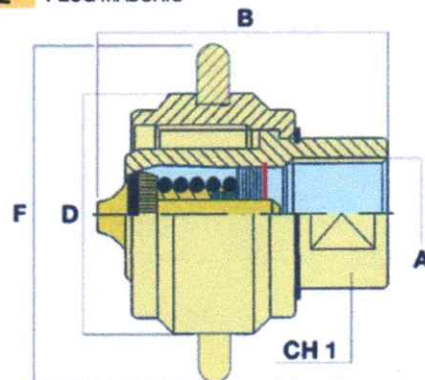
≤ 1/2" PLUG MASCHIO



≥ 3/4" PLUG MASCHIO



≥ 2" PLUG MASCHIO



S series

SCREW TO CONNECT INNESTO A VITE

SIZE BASE	Ø DN		CODE CODICE		Ø A*	B		C		Ø D		L		CH 1		CH 2		CH 3	
	mm	inch	plug maschio	socket femmina		mm	in	mm	in	mm	in	mm	in	mm	in	mm	in	mm	in
04	6	1/4"	SM10-04	SF10-04	1/4"BSP	46	1.81	50	1.97	31	1.22	72	2.83	17	0.70	19	0.75	28	1.10
06	10	3/8"	SM10-06	SF10-06	3/8"BSP	51	2.01	58	2.28	38	1.50	83	3.27	20	0.79	27	1.06	34	1.34
08	12	1/2"	SM10-08	SF10-08	1/2"BSP	54.5	2.14	75	2.95	47	1.85	100	3.94	27	1.06	32	1.26	42	1.65
12	20	3/4"	SM10-12	SF10-12	3/4"BSP	60	2.36	91	3.58	50	1.97	118	4.64	32	1.26	38	1.50	45	1.77
16	25	1"	SM10-16	SF10-16	1"BSP	70	2.75	89	3.50	60	2.36	120	4.72	41	1.61	45	1.77	55	2.16
20	32	1.1/4"	SM10-20	SF10-20	1.1/4"BSP	78	3.07	105	4.13	70	2.75	141	5.55	50	1.97	55	2.16	65	2.56
24	38	1.1/2"	SM10-24	SF10-24	1.1/2" BSP	80	3.15	105	4.13	90	3.54	141	5.55	55	2.16	60	2.36	75	2.95
SIZE BASE	Ø DN		CODE CODICE		Ø A*	B		C		Ø D		L		CH 1		CH 2		F**	
	mm	inch	plug maschio	socket femmina		mm	in	mm	in	mm	in	mm	in	mm	in	mm	in	mm	in
32	50	2"	SM10-32	SF10-32	2"BSP	96	3.78	130	5.12	135	5.31	172	6.77	80	3.15	80	3.15	220	8.66

* Other threads available on request Ulteriori filettature disponibili a richiesta.

** N°2 handles at 180° N°2 maniglie a 180°