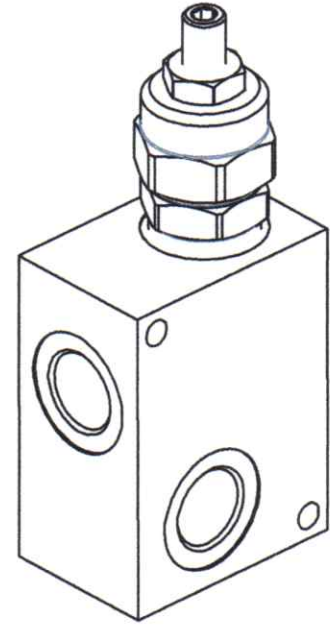
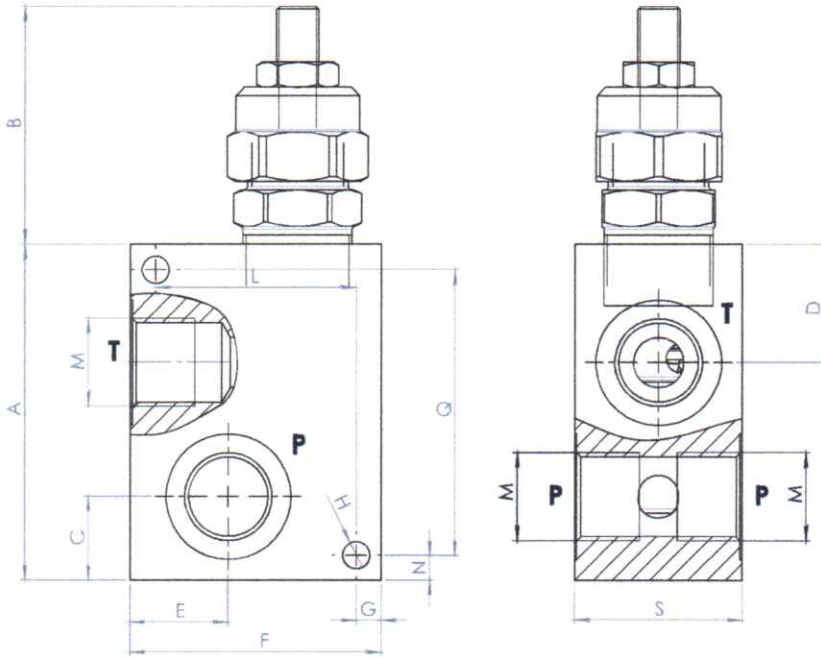
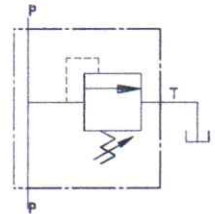


### Dimensions

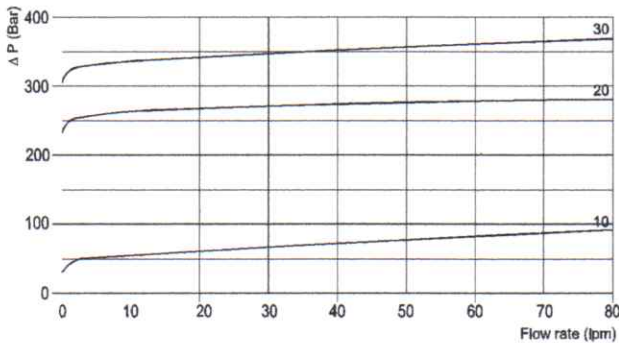


### Hydraulic Symbol



Size	A	B max	C	D	E	F	G	H	L	M BSP	N	Q	S	Weight kg
03	80	57	20	28	23,5	60	6	6,5	48	1/2	6	68	40	0,70
04	80	57	20	28	23,5	60	6	6,5	48	3/4	6	68	40	0,67

### Curves



### Features

Rated Flow	80 lpm
Max Pressure	350 bar

**Materials:** Zinc plated steel cartridge, hardened steel inner parts.  
Aluminium manifold.

### Ordering Code

**PRL 80**    --    --    -

Port Size BSP		Spring (bar)	
03	1/2	10	5-50
04	3/4	20	30-260
		30	130-350

### Adjustments

A		Socket Screw
B		Handknob
C		Tamperproof Cap

**Ordering Code Example:** PRL800420A = 3/4 Port Size - 30-260 bar setting range, Socket screw adjustment.